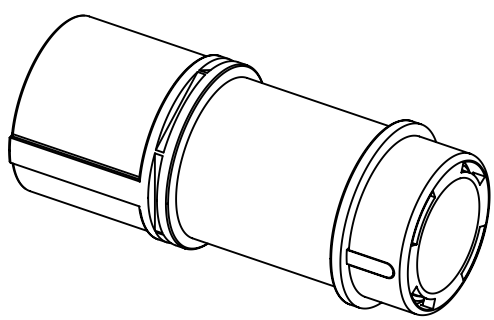
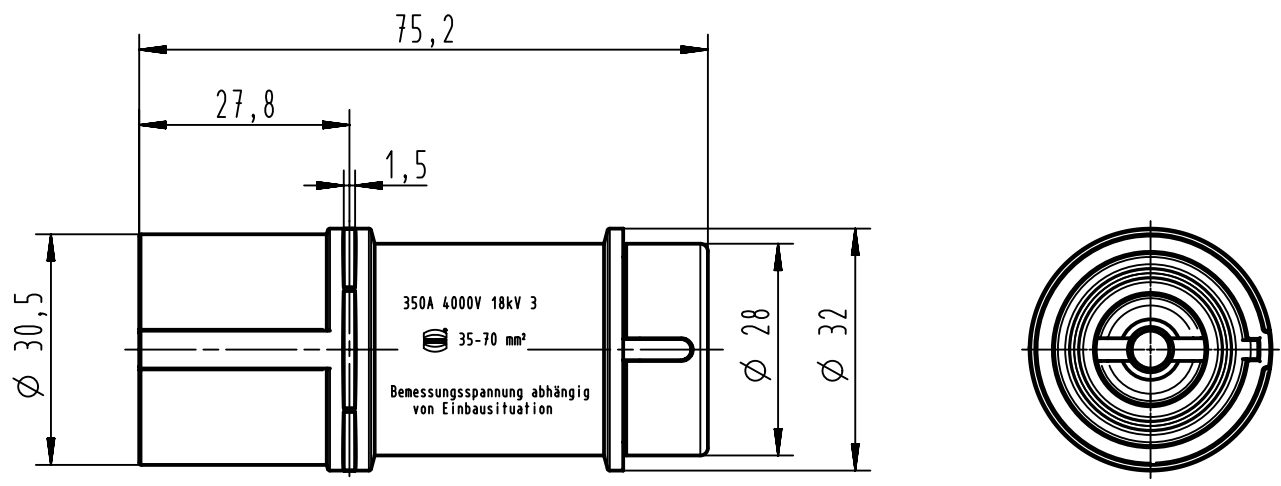


A

B

C

D



Leiterquerschnitt/ wire gauge 35-70 mm ²		AWG 1-2/0		All Dimensions in mm Original Size DIN A4		Scale 1:1		Free size tol.		Ref. Sub.	
				HARTING Department EL PD - DE		All rights reserved		Created by SCHULZI		Inspected by BERGHORN	
HARTING Electric GmbH & Co. KG D-32339 Espelkamp		Title Han 1 HC 350A/4KV -male- 35-70 mm		Date 2013-03-05		State Final Release		Doc-Key / ECM-Nr. 100132460/UGD/006/A		Rev. A	
				Type TB		Number 09 11 001 2651		Page 1/1			