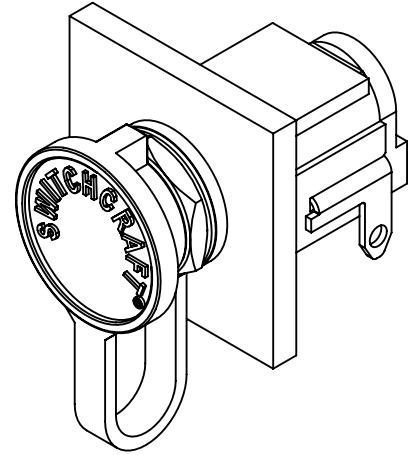
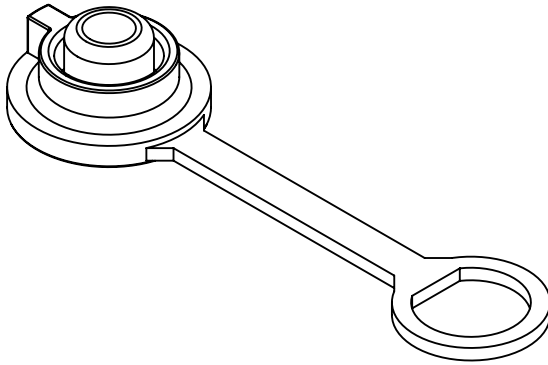
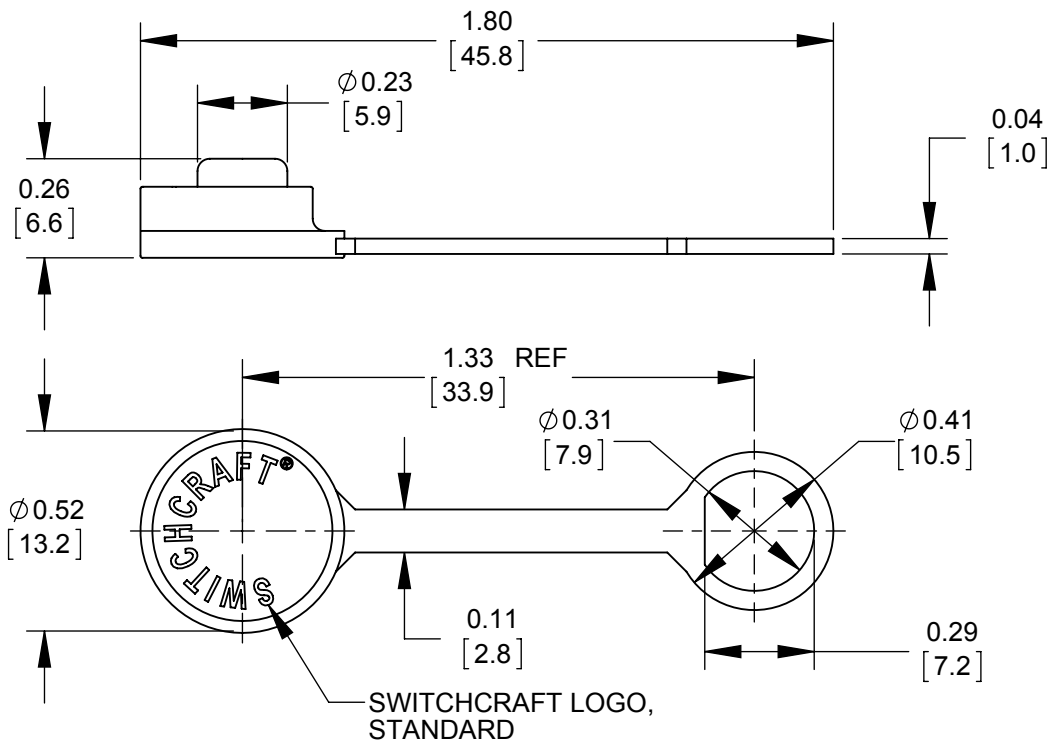


Power Jack Seal Cap PJCAP



Dimensions:



DIMENSIONS SHOWN FOR REFERENCE ONLY

Specifications:

Operating Temperature Limits: -40°C to +105°C (-40°F to +221°F)

Weathertight Ratings: IP66, IP67, IP68 per IEC60529, NEMA 250 (6P)

Material: Thermoplastic Elastomer, black